



**Iron/Tones®**  
Sink rack for Iron/Tones® Smart Divide® kitchen sink  
**K-8339**

**Features**

- Fits in either bowl of the K-5312 Iron/Tones kitchen sink.
- Helps protect sink surface from daily wear.
- Innovative wheels around the perimeter provide a secure fit and reduce debris buildup.
- Dishwasher-safe.

**Material**

- Durable stainless steel construction.

**Recommended Products/Accessories**

K-5312 Dual-mount Smart Divide® double-equal kitchen sink  
K-23729 Stainless steel cleaner



**Codes/Standards**

None Applicable


**KOHLER® One-Year Limited  
Warranty**

See website for detailed warranty information.

**Available Colors/Finishes**

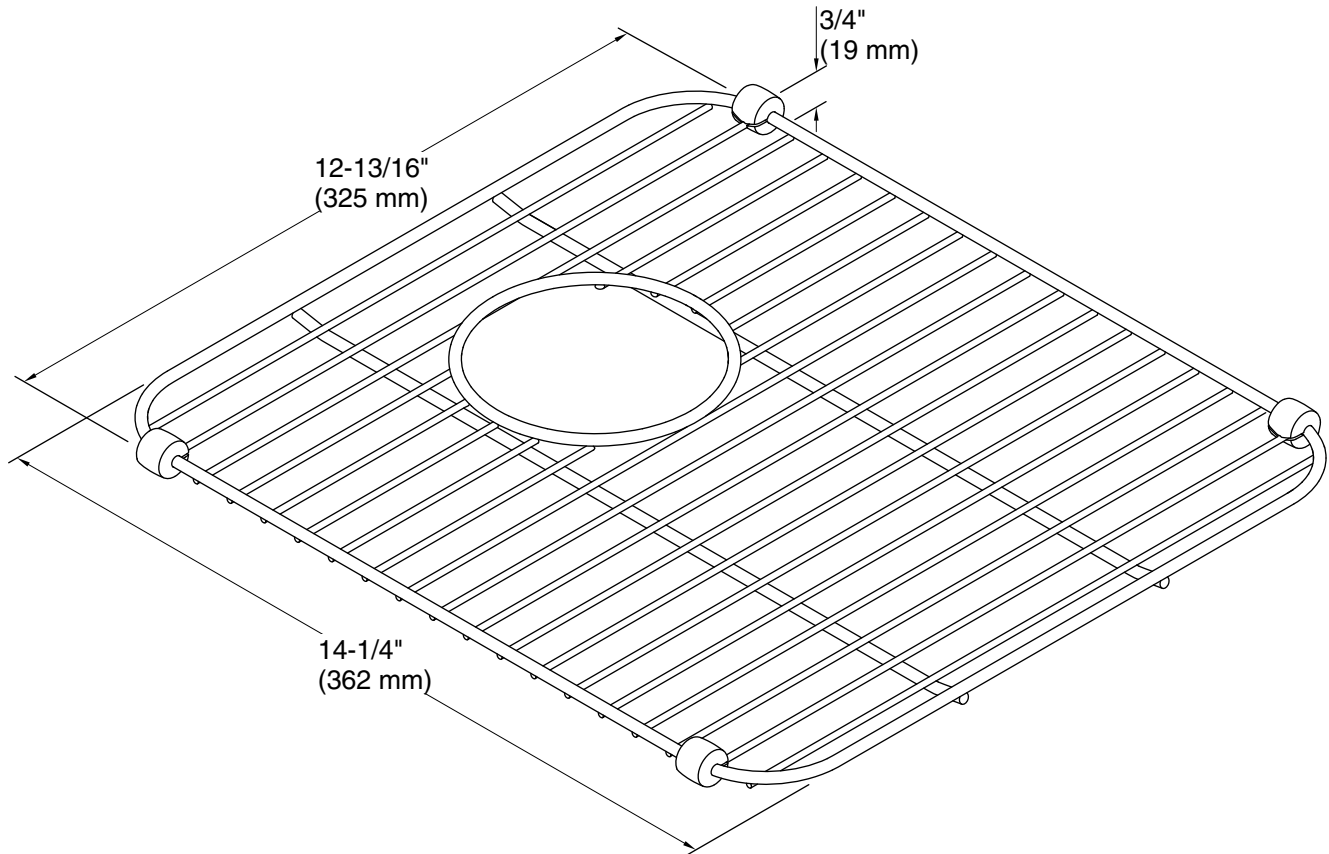
*Color tiles intended for reference only.*

**Color Code Description**

|   |    |                 |
|---|----|-----------------|
|  | ST | Stainless Steel |
|---|----|-----------------|



**Iron/Tones®**  
Sink rack for Iron/Tones® Smart Divide® kitchen sink  
**K-8339**



**Technical Information**

All product dimensions are nominal.

Material:               Stainless Steel